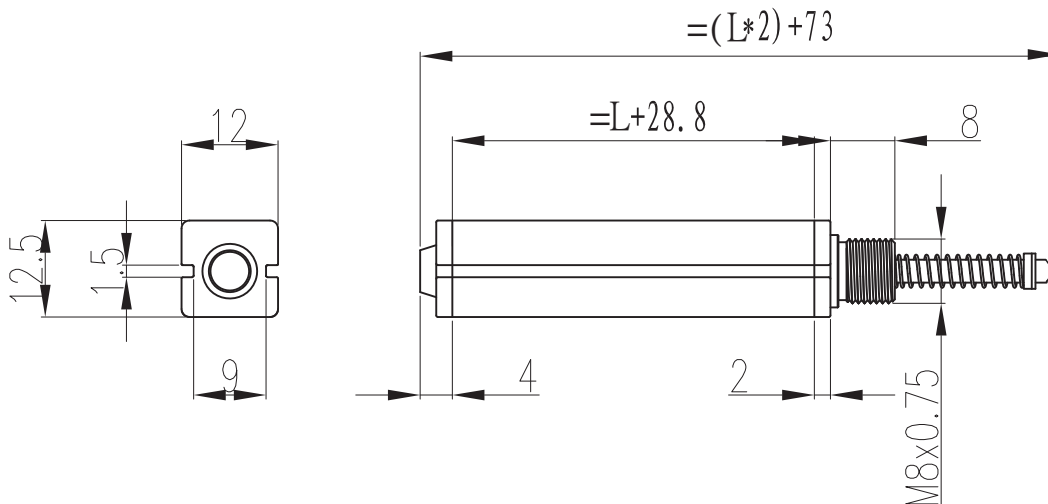
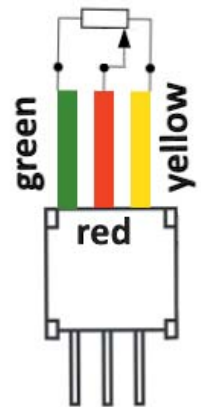


## IKS Potentiometer conductive plastic linear



- Effective stroke 5 mm to 25 mm
- Non-linearity 0.5% FS - Infinite resolution - Repeatability 0,01 mm.
- Shell anodized, corrosion resistant
- Displacement speed MAX. to 5 m/s
- Built-in conductive plastic measuring unit, no temperature drift
- Sealing rating of IP65, small size, compact structure, easy installation

Standard Specifications:		5mm	10mm	15mm	20mm	25mm
Linear Precision ( $\pm\%$ FS)		$\pm 0.1\%$				
Resistance ( $\pm 20\%$ )		1K $\Omega$	2K $\Omega$	3K $\Omega$	4K $\Omega$	5K $\Omega$
Effective Stroke		range+3mm				
Resolution		Infinite				
Repeatability Precision		0.01mm				
Temperature Coefficient		$\leq 1.5\text{ppm}/^\circ\text{C}$				
Recommended Current		$\leq 1\text{mA}$				
Input Voltage		(4K $\Omega$ ~5K $\Omega$ ): $\leq 24\text{VDC}$ ; (2K $\Omega$ ~3K $\Omega$ ): $\leq 12\text{VDC}$ ; (1K $\Omega$ ): $\leq 5\text{VDC}$				
Output		0~100% $\times$ input voltage (change with the movement of the rod)				
Sensitivity		1				
Temperature Drift		infinitesimal				
Load Characteristic		$\geq 10\text{mA}$				
Very long life		$>100 \times 1000000$ cycles, $>25 \times 1000000$ m				



**gm** SENSORES E INSTRUMENTACION GUEMISA S.L.  
NIF: B-87969416

C/ La Fundación 4 Bis - Pl 1ª Oficina-2  
28522 Rivas Vaciamadrid (Madrid)  
Telf. 91 764 21 00  
email: [ventas@guemisa.com](mailto:ventas@guemisa.com)

[www.guemisa.com](http://www.guemisa.com)